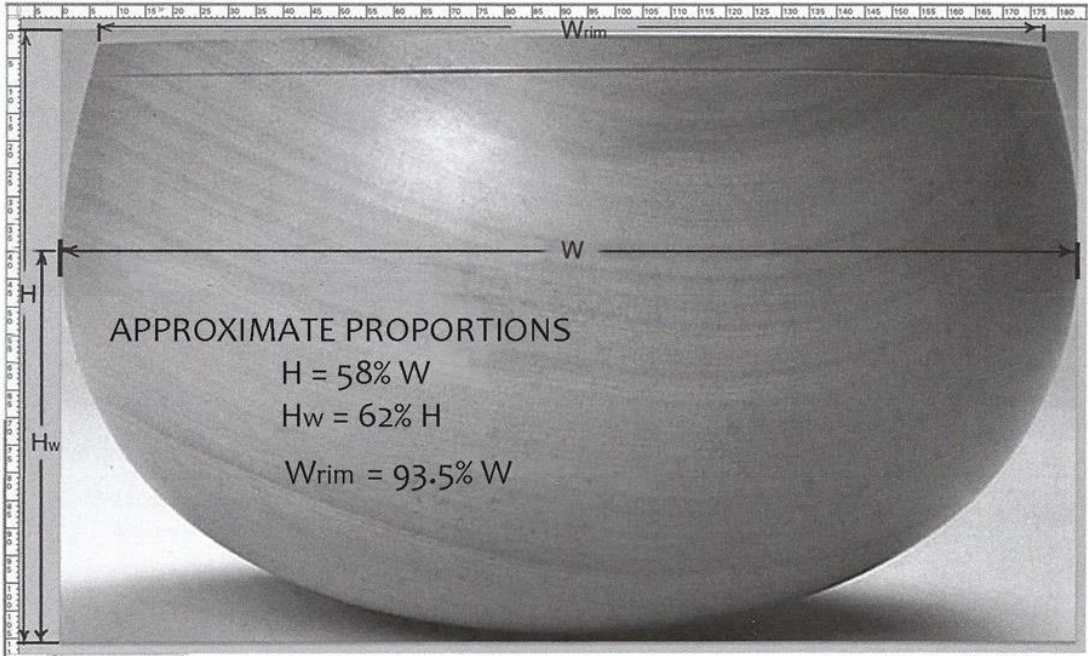


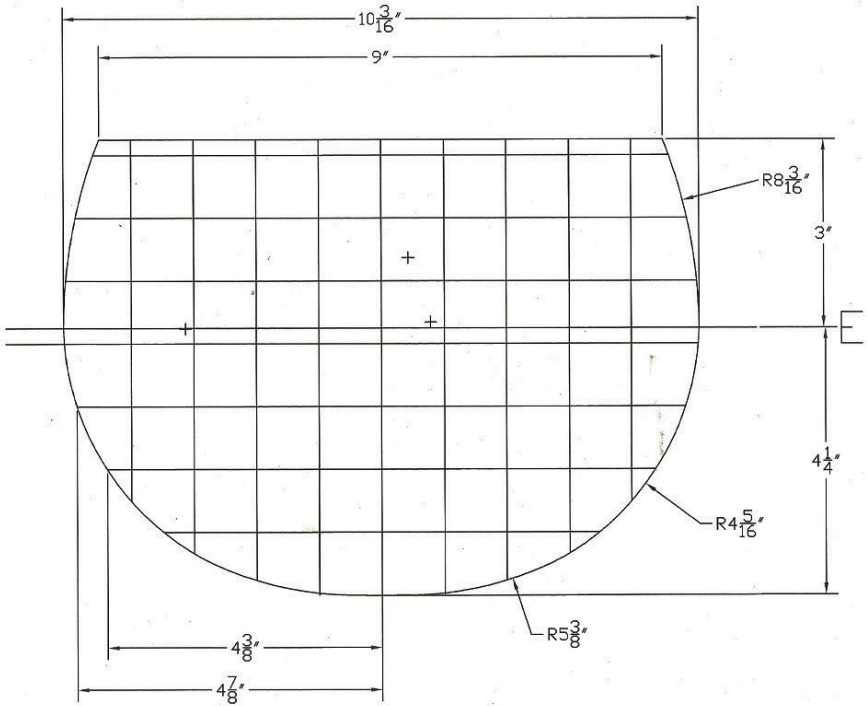
# GUIDELINES FOR TURNING A TRADITIONAL HAWAIIAN CALABASH

| Width | Height | Hw   | Wrim |
|-------|--------|------|------|
| 10    | 5.80   | 3.60 | 9.35 |

Proportional measurements shown in percentage of the widest diameter (W) of a bowl turned by Bill Luce.



Sketch by Jon Ogata, Oct 2016



## RESOURCES:

### **The Hawaiian Calabash**

By Irving Jenkins

Now out of print, but available on Amazon and other booksellers.

### **Mike Hunter Tools**

<http://huntertoolsystems.com>

#5 Badger tool

The new "Phoenix" tool

Use code "Maui" at checkout for a 15% discount on any Hunter tool

### **Pewa Resources**

Mark Stebbins. Big Island of Hawaii

Router guide templates

<http://www.bigislandengraving.com>

### **Emiliano Achaval**

achaval@yahoo.com

[www.hawaiiankoaturner.com](http://www.hawaiiankoaturner.com)

Cell# 808-854 1028

Email me with any questions.

Thank you for the opportunity to let me show you what I do. When you visit Maui, stop by the Studio and say hello.

Aloha!